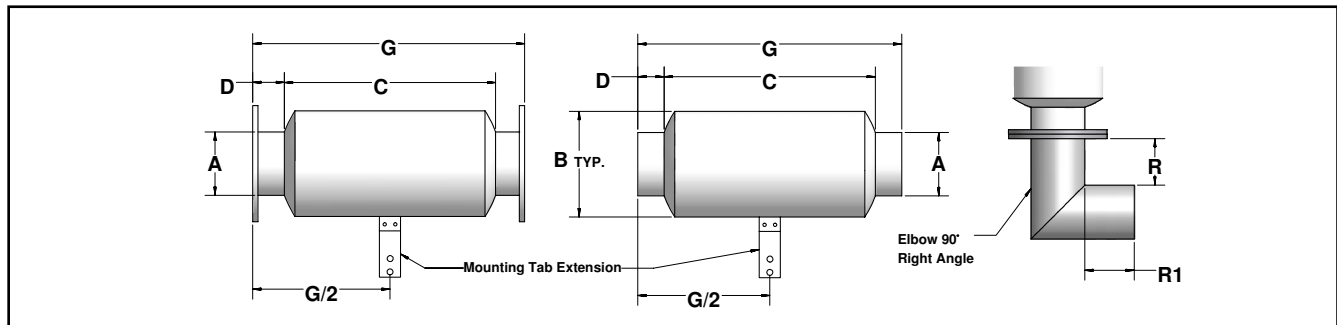


Spencer® *Technical Data Sheet*

Air Noise Silencers



PART NO.				Rated Capacity (CFM)	Dimensions-Inches							Approx. Wt. w/o flange (lb.)
Flange/Flange	Tube/Tube	Flange/Tube	Tube/Tube Elbow		A (OD)	B (OD)	C	D	G	R	R1	
SIL90213	SIL90200	SIL90226	Contact Spencer	300	3	6	12	2½	17	3½	3¾	8
SIL90214	SIL90201	SIL90227		500	4	8	16	2½	21	3½	3¾	14
SIL90215	SIL90202	SIL90228		780	5	8	16	2½	21	3½	3¾	15
SIL90216	SIL90203	SIL90229		1100	6	10	20	2½	25	3½	3¾	31
SIL90217	SIL90204	SIL90230		2000	8	12	24	2½	29	4½	4¾	50
SIL90218	SIL90205	SIL90231		3200	10	14	30	2½	35	4½	4¾	60
SIL90219	SIL90206	Contact Spencer		4600	12	16	36	2½	41	6½	6¾	80
SIL90220	SIL90207			6200	14	20	42	5½	53	6½	6¾	110
SIL90221	SIL90208			8200	16	22	48	5½	59	6½	6¾	160
SIL90222	SIL90209			10,500	18	24	54	5½	65	6½	6¾	220
SIL90223	SIL90210			13,000	20	26	60	5½	71	6½	6¾	250
SIL90224	SIL90211			15,750	22	28	66	5½	77	6½	6¾	280
SIL90225	SIL90212			18,500	24	30	72	5½	83	6½	6¾	310

These products are low-pressure-drop, absorption-type silencers which effectively reduce the inlet and discharge noise of centrifugal blowers and vacuum producers. To aid their installation, Spencer can provide tube connections, tube companion flanges, flexible sleeves and clamps. Support legs for horizontal installation of Spencer air noise silencers are also available. These legs attach to a furnished mounting tab extension on the silencers; they may be ordered by specifying the Spencer machine serial number or housing diameter, inlet or discharge diameter and air noise silencer part number. Vertically installed silencers should be firmly supported by other means.

NOTES:

1. All flanges have 125/150 lb hole pattern (ANSI standard).
2. Install silencers as close as possible to inlet or discharge to minimize noise radiation from interconnecting piping.
3. Spencer silencers may be used in parallel to handle higher volumes.
4. For silencers ordered with an elbow, it will be a one-piece bolted assembly from the factory.
5. Spencer reserves the right to make design improvements and/or change dimensions without notice.

- For Customer Approval
 Certified Correct

Date: _____

Signed: _____

Customer Name: _____

Customer Order No.: _____

Project Name: _____

Sales Order No.: _____



The Spencer Turbine Company, 600 Day Hill Road, Windsor, CT 06095-4706

TEL 800-232-4321 ♦ 860-688-8361 ♦ FAX 860-688-0098 ♦ www.spencerturbine.com

Since 1892 moving air and gas for a cleaner environment