



# ATARA GRIT CLASSIFIERS

*Designed Grit Separating & Washing.*



## **LOW COST OPERATION**

- Shaft less Screw, no submerged bearings or seals.
- Compact and robust design.
- Direct coupled, easily accessible gear-drive.
- Complete with hydro-cyclone where required.

## **EFFICIENCY**

- The combination of the Inlet, tank, and conveyor shapes, all contribute to minimize turbulence and increases efficiency
- Overflow weir design, helps to avoid blockage by floating materials, such as organics.

## **APPLICATIONS**

- Water and waste-water treatment

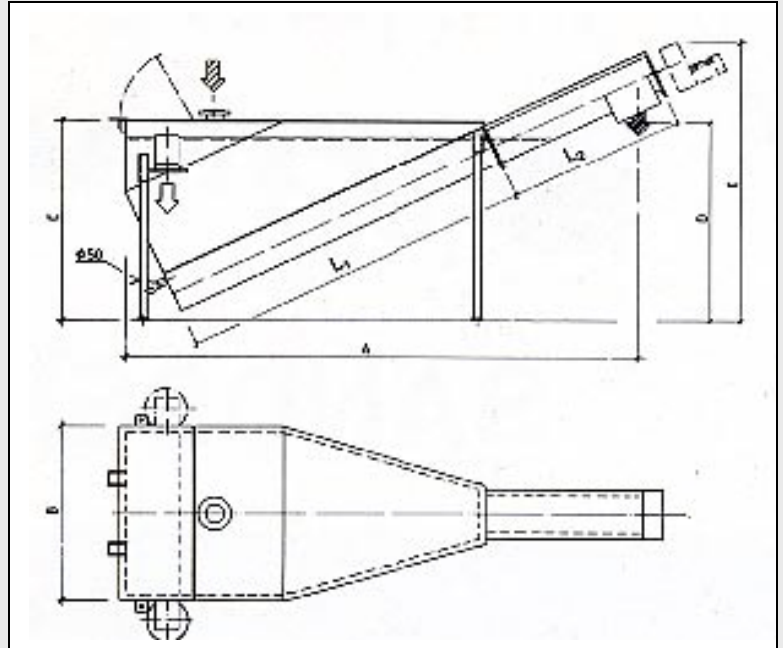
## **CONSTRUCTION:**

The **ATARA Grit Classifier** is equipped with bolted lid over the conveyor and the free length of conveyor and has an inspection door with easy opening over the overflow weir.

The conveyor trough is lined with wear bars of hardened steel.

The drive unit is direct coupled to the driveshaft of the spiral.

The **ATARA Grit Classifier** is delivered with supports to suit installation on an even floor surface.



**MATERIALS:** Mild Steel painted  
Stainless Steel 304 or 316 L

**WEAR LINERS:** Hardox Bars  
Stainless Steel

<b>ATARA Type SA</b>	260	320	355	420
Dim. flow L/sec	5-12	12-20	20-27	27-35
Water Area m <sup>2</sup>	2,3	3,0	4,0	5,0
Water Volume m <sup>3</sup>	1,2	1,8	3,3	4,2
A	3850	4400	5900	6300
B	1250	1500	1500	1800
C	1500	1700	2150	2150
D	1500	1700	2350	2600
E	2050	2350	2950	3300
L1	3000	3000	4000	4000
L2	1000	1500	2000	2500
Connection in / mm	100	150	200	200
Connection out / mm	150	200	250	250
Engine output kW	0,25	0,37	0,55	0,75
RPM (conveyor spiral)	4,8	4,2	4,6	4,2

**Note:** The measurements C, D, E, and L2 are min. measures.  
If C and L2 are increased the A, D, and E measurements will also be increased.  
When ordering please state type and length of Conveyor ( L1+ L2 ).



200 RUE RIOUX  
MONTREAL, QC., CANADA, H3C 2A5  
TEL: 514-931-5445 1-866-931-5445  
FAX: 514-931-0629  
EMAIL: [info@ataraequipment.com](mailto:info@ataraequipment.com)  
WEB SITE: [www.ataraequipment.com](http://www.ataraequipment.com)