



ATARA SCREEN PRESS



Designed for conveying and dewatering in one compact unit

EFFICIENCY

Unit combining dewatering by gravity and mechanical means.

LOW COST OPERATION

- Simple design minimizes capital costs, maintenance costs and downtime
- Requires less space than conventional dewatering devices
- Reduces waste for disposal resulting in lower transportation costs and diminished environmental impact

FLEXIBLE

- Unit throughput up to 15 m³/h.
- Multiple inlets.
- Wedge-wire slot sizes to accommodate demanding applications

APPLICATIONS

- Municipal (waste water treatment plants)
- Industrial (food processing, chemical industries, pulp and paper)

OPERATION

The transport conveyor section (E) terminates at the press-zone (D). The spiral protrudes into the enclosed wedge-wire press-tube. The length of the spiral terminates short of the outlet door (E) . This enables a plug of material to be formed inside the press tube.

The combination of the plug length (F) and the amount of pressure from the door (E) plus the efficiency of the conveyor control the dewatering effect.

DISTINGUISHING FEATURES

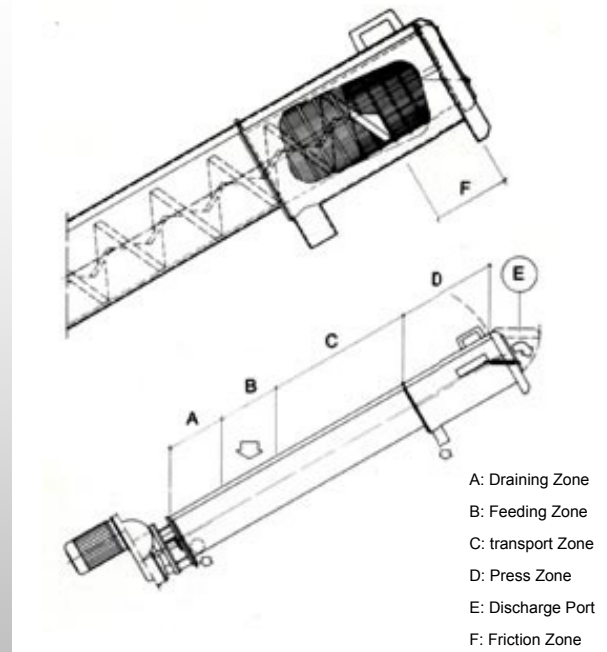
The transportation and the pressing operation are performed by an strong spiral (lengths up to 10 m).

A pushing drive unit, combined with a free spiral end, ensures trouble free operation (ensures no entanglement between material and spiral).

Press-tube is designed for maximum dewatering. Individual slot openings are based on the properties of the material and the dewatering requirements.

Driveshaft, C/w packing gland, minimizes leaks.

Drain end spiral brush keeps drain free of debris. Automated spray wash device cleans the press basket.



DESIGN STANDARDS

ATARA PRESS	Input m ³ /h	Drive unit kW	Shroud Length D (mm)	Compaction Zone Length F (mm)
U200 / ATSP 160	0 - 1	1.5	500	200
U260/ ATSP 215	1 - 2	2.2	600	250
U320 / ATSP 280	2 - 4	3.0	700	300
U420 / ATSP 365	4 - 7	4.0	900	350
U500 / ATSP 405	7 - 15	5.5	1000	400

STEEL QUALITY

Troughs and Covers:

- Stainless Steel (304) or (316) and (316L)
- Carbon Steel Painted.

Transport Press-Spiral: Special Steel, Stainless Steel.

Press-tube: Wedge-wire in Stainless Steel (304) or (316)

Slot selection 0.5 to 2 mm.

OPTIONAL

Increased HP drive-unit where higher torques are demanded.

Adjustable plug length (sized for material type).

Spiral fabricated in Stainless Steel/ Mild Steel.

Custom-made press-end, for demanding applications.

Perforated basket Stainless Steel (304) or (316).



200 RUE RIOUX
MONTREAL, QC., CANADA, H3C 2A5
TEL: 514-931-5445 1-866-931-5445
FAX: 514-931-0629

EMAIL: info@ataraequipment.com
WEB SITE: www.ataraequipment.com