



ATARA SHAFTLESS SCREW

Designed for transporting materials which are sticky, slushy, stringy and plug-forming, irregular and arch-forming .

LOW COST OPERATION

- No seals, hangers or bearings.
- No plugs, no clogs to prevent continuous operation.
- 50% higher filling proportion to the trough relative to conventional screw conveyors
- Conveyors can be vertical inclined or horizontal
- Removable wear liner

HYGIENIC

Completely enclosed and gasketed for odor and spillage control

SPACE SAVING

A pushing drive with free-end spiral permits direct axial and angled connections for positive transfer of material

APPLICATIONS

- Municipal (waste management)
- Industrial (food industries, chemical industries, incineration plants, pulp and paper)



← Axial connection . Double belt press feed

→ Axial connection. Single belt press feed

STANDARD DESIGN SIZES

Dimensions (mm) and capacity

	<i>Dimensions (mm)</i>				<i>Capacity</i>	
	A	B	H	O	<i>at 20 rpm ft³/hr</i>	<i>at 20 rpm m³/hr</i>
ATSC200	200	310	215	160	70	1.90
ATSC260	260	370	270	215	140	3.96
ATSC320	320	430	340	280	360	10.19
ATSC355	355	465	380	315	500	14.15
ATSC420	420	530	430	365	720	20.38
ATSC500	500	610	475	420	1070	30.29
ATSC600	600	720	650	480	1653	46.82
ATSC700	700	820	700	600	1923	54.46

MANUFACTURED IN:

- Special steel
- Stainless steel
- Hardox steel

SPIRAL PROFILE:

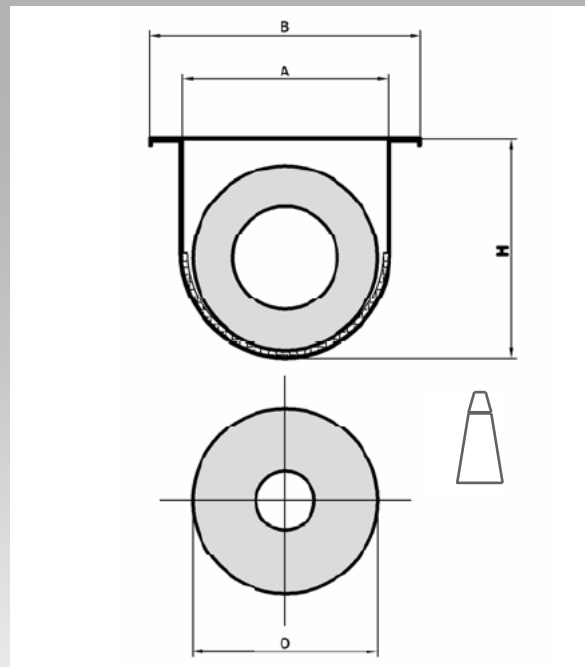
Taped design.

Largest cross section to the inner and smallest cross section to the outside.

Analysis shows that the inner spiral is the area which takes most of the stress (axial loading).

U-TROUGHS:

- Trough lids bolted.
- Hinged inspection covers.
- Manufactured in:
Stainless steel
Mild steel (painted)
Other materials
- Liners manufactured in:
Hardox bar
Stainless steel
UMHW



200 RUE RIOUX
MONTREAL, QC., CANADA, H3C
2A5
TEL: 514-931-5445 1-866-931-5445
FAX: 514-931-0629

EMAIL: info@ataraequipment.com