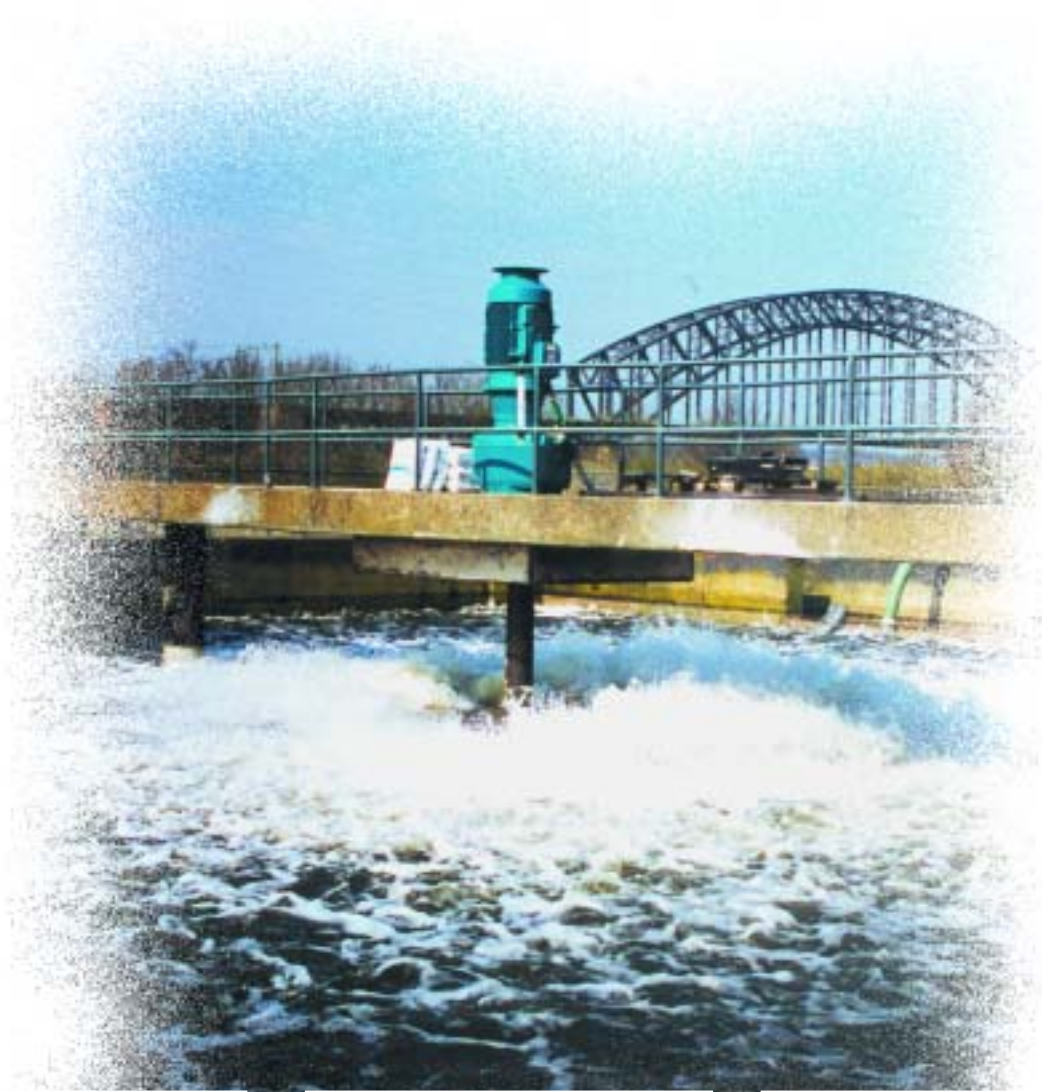


---

# O<sub>2</sub>MAX SURFACE AERATORS



---

Spaans  Babcock

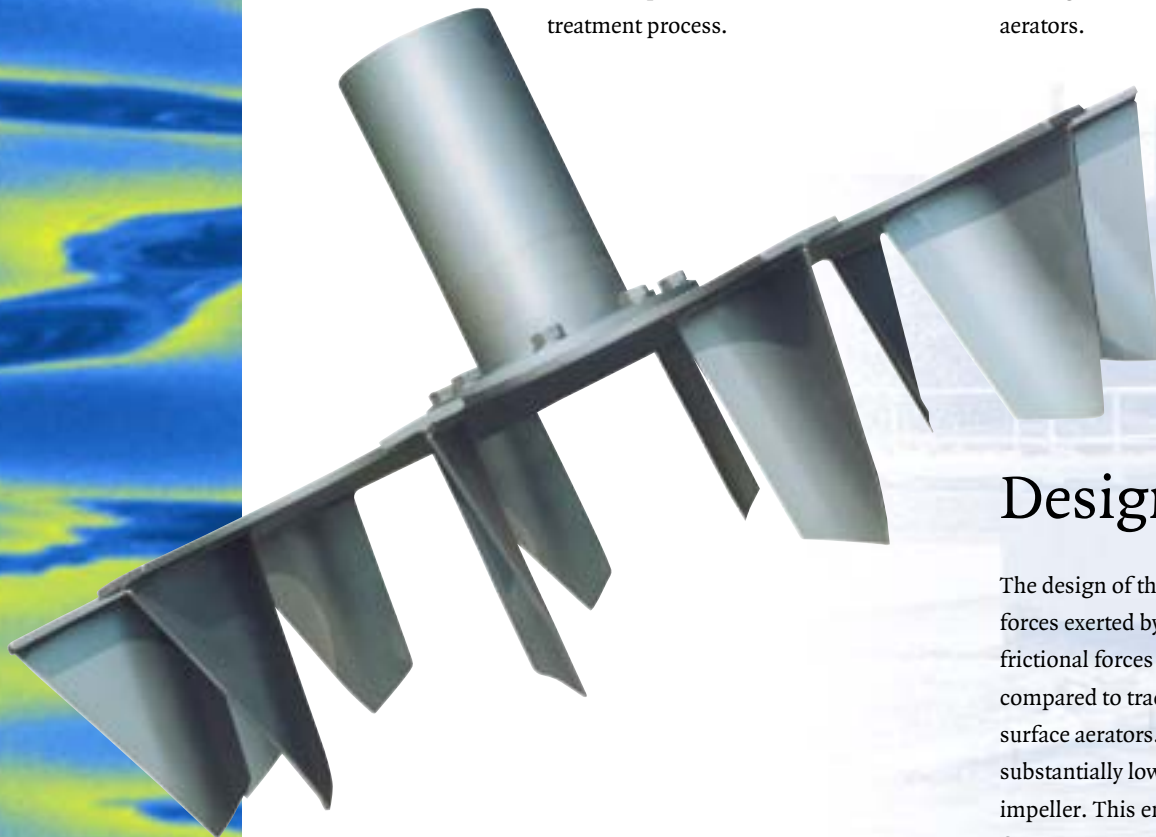
# Surface Aerators

Spaans Babcock introduced the O2Max in 1999. This new generation of energy saving surface aerator is capable of optimizing the biological treatment phase of the wastewater treatment process.

# Performance

The design of the O2Max guarantees a very high aeration efficiency which, depending on the diameter and the tank shape can be up to 5 lb O2/hphr (3 kg O2/kWh).

The unique shape of the O2Max gives energy savings up to 20% compared with existing mechanical low speed surface aerators.

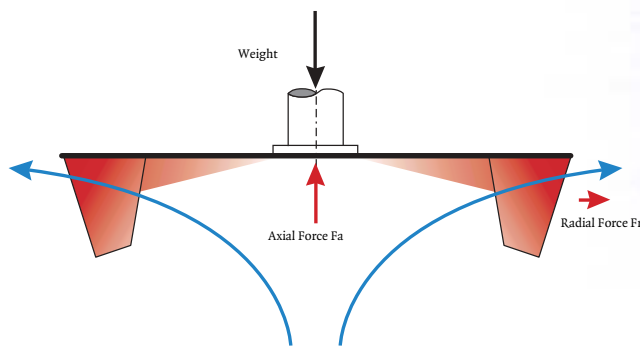


# Design

The design of the impeller minimizes the forces exerted by the water so the related frictional forces are therefore very low compared to traditional cone shaped surface aerators. The up-thrust is substantially lower than the weight of the impeller. This ensures quiet and vibration free operation which results in a longer life expectancy of the drive unit and a reduction of the forces on the civil structure.

The blade is designed such that it is non-clogging. This prevents particulate build-up on the aerator blade thereby reducing maintenance costs.

Whilst maintaining a high efficiency the oxygen versus power input are adjustable over a full range of immersion depths and speed.



# Splash Pattern

The splash pattern of the O2Max is very fine and smooth with a relatively low height and small diameter. For new installations this will reduce initial investment in the civil construction.

O2Max		Size/Diameter		Typical Splash Patterns			
		Height		Diameter			
inch	mm	feet	m	feet	m	feet	m
(min.)	(max.)	(min.)	(max.)				
39	47	1000	1200	2.6	0.8	26	8
51	71	1300	1800	3.0	0.9	30	9
75	94	1900	2400	3.3	1.0	33	10
98	110	2500	2800	3.6	1.1	36	11
114	134	2900	3400	3.9	1.2	39	12

*splash pattern  
O2Max aerator*



## Flexibility

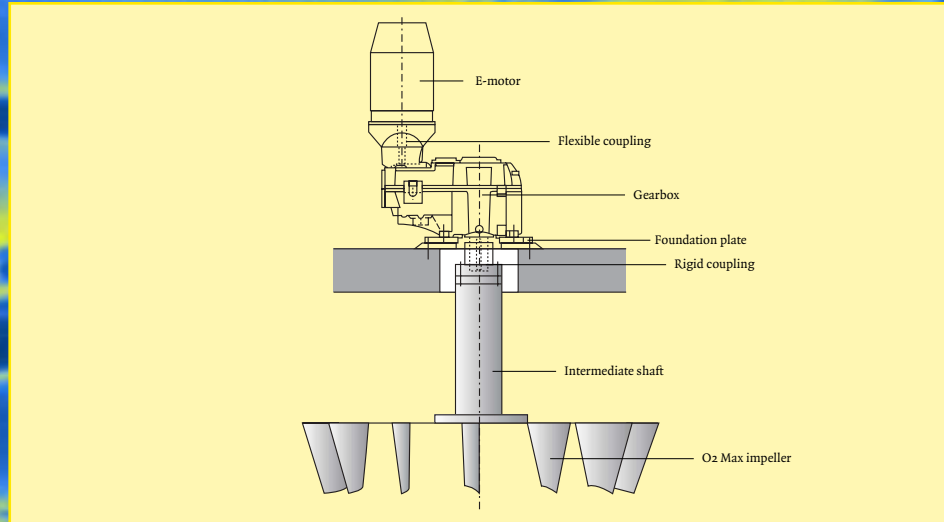
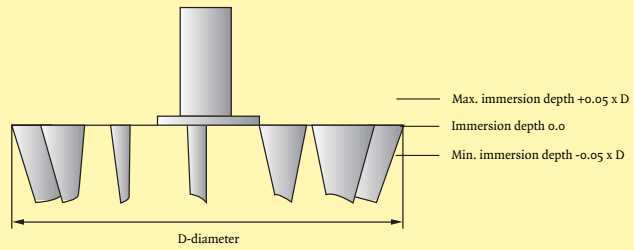
The excellent mixing and pumping capacity allows the O2Max to be applied in all types of aeration systems such as complete mix, SBR, oxidation ditches and lagoons. The O2Max can be supplied in 2 different options: either as a fixed arrangement for mounting on a concrete or steel bridge or as a floating unit.

## Advantages

- High O2 Transfer Rate and Efficiency
- High Mixing Rate and Efficiency
- Low Power Consumption
- Energy Savings = Cost Savings
- Very Low Axial and Radial Forces
- Quiet and Vibration-Free Operation
- Easy to Install
- Easy to Retrofit to Existing Low Speed Aerator Drives

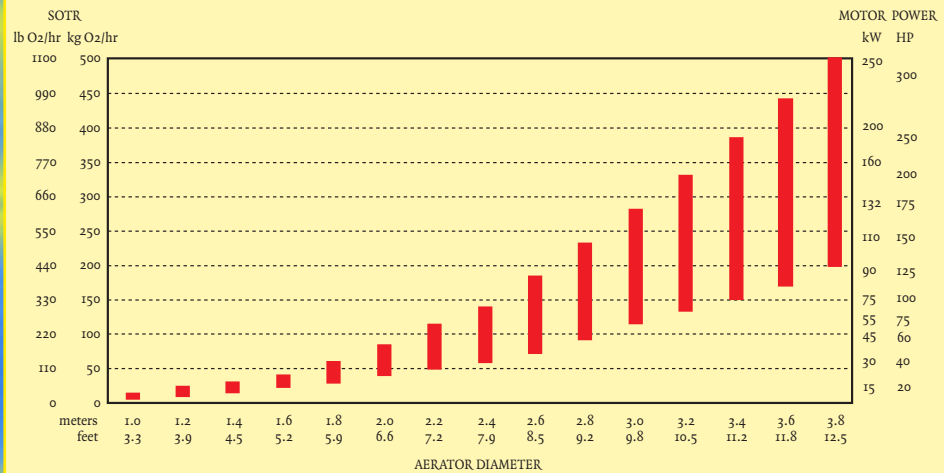


*oxidation ditch*



## Selection

A wide range of diameters ensures that for every oxygen demand the most optimal and efficient aerator configuration can be selected. This means that for every application a suitable solution is available.



### Spaans Babcock Inc.

588 Edward Avenue, Unit 43

Richmond Hill, ON

Canada L4C 9Y6

Tel. 905.884.1100

Fax. 905.884.8811

E-mail

sales@spaansbabcock.net

Internet

www.spaansbabcock.com

Spaans  Babcock

O2Max is a registered trademark