



### Number of Operators

Catalog Number	Number of Operators*	Motor Hp	Shipping Weight (lb.)
SC410	4	10	1100
SC415	6	15	1100
SC420	8	20	1100
SC510	3	10	1215
SC515	5	15	1215
SC520	7	20	1215
SC525	8	25	1215
SC615	4	15	1350
SC620	5	20	1350
SC625	7	25	1350

Performance based on 70 °F inlet temperature at sea level.

\*Based on 100 SCFM/Operator with 1½" diameter x 15 feet hose.

### Materials of Construction

- Casing, separator, base, dirt can: ASTM A1011 hot-rolled steel
- Impellers: 5052-H34 aluminum
- Shaft: AISI-1045 hot-rolled bar steel
- Finish: epoxy primer with Spencer blue urethane topcoat

### Product Features

#### Vacuum Producer

Multistage centrifugal  
Standard overhung direct drive  
Bottom exhaust with silencer (Patent No. 4,874,410)  
Average sound level from 84 dBA at 3 feet  
Factory performance tested

#### Motor

10, 15, 20 or 25 HP, 3500 rpm  
200-230/460 or 575 volt, three phase, 60 Hz  
TEFC  
Bearing life: 100,000 hours (L-10)

#### Separator

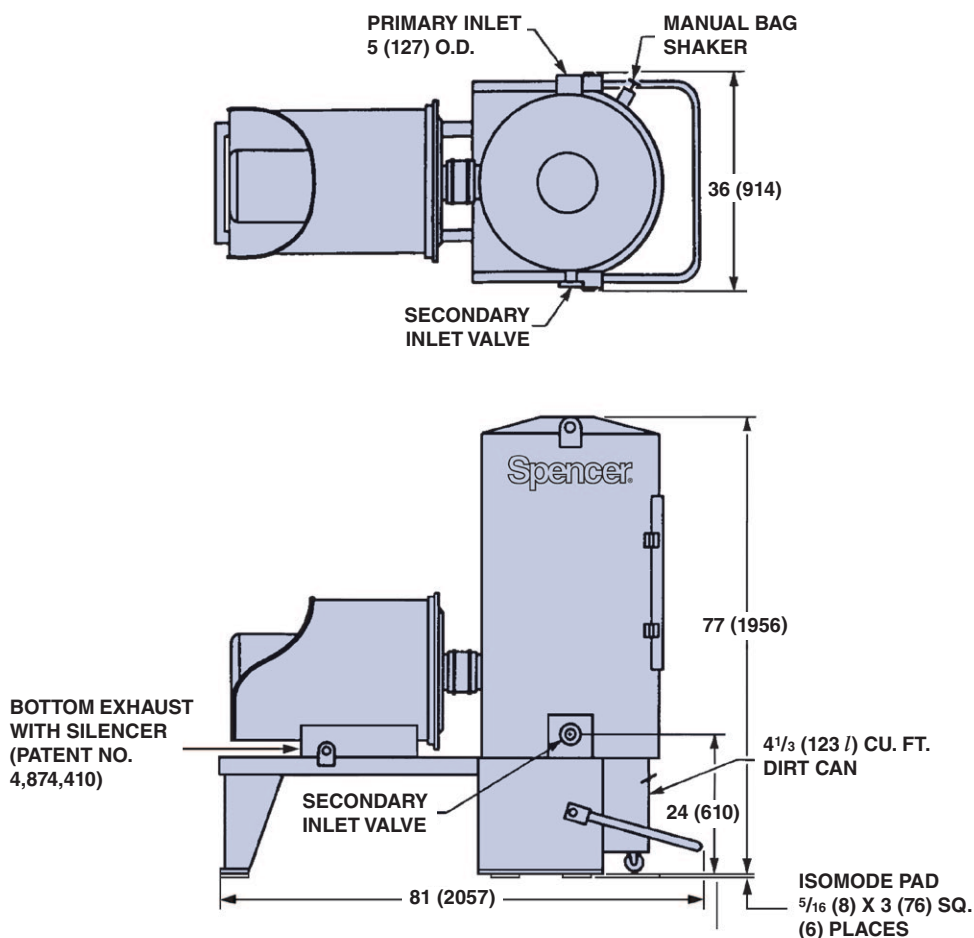
Tubular bag separator, shaker type: 30" diameter  
Multiple-inverted filter bags: Quantity 12  
Filter bag area: 56.5 sq. ft  
Filter bag material: cotton sateen (Part No. BVA90051)  
Filter bag diameter: 6" (Cat. No. 6445-N)  
External manual bag shaker  
Large, hinged inspection door (accepts padlock)  
Removable dirt can, cam actuated, capacity: 4⅓ cu. ft. (accepts padlock)  
Average filtration efficiency: 99.9% at 3 microns  
Axial inlets with target plate:  
primary inlet – 5" tubing with sleeve  
secondary inlet – inlet valve (Part No. VLV90083) for 1½" diameter hose

#### Base

Stationary; common frame with mounting pads

#### Available Options

Explosion-proof and premium efficiency motors  
NEMA 4, 7 and 9 starter enclosures  
Grounded filter bags  
Other filter bag materials  
Dirt can liners (with equalizing line)  
Inlet valve (Part No. VLV90100) for 2" diameter hose  
Island adapter kit (Part No. PLT90023)  
Bottom discharge conversion adapter to change to 6" tube horizontal on motor end (Part No. KAC90144)




Performance Data	Motor Data	Separator Filter Data
Number of Operators _____	HP _____ RPM _____	Area: 56.5 sq. ft. _____
Catalog No. _____	Voltage _____	Bag Quantity: 12 _____
Discharge Pressure (PSIA) _____	Phase _____ Hz _____	Bag Catalog No.: 6445-N _____
Inlet Temperature (°F) _____	Enclosure _____	Bag Material: _____

► Spencer may make improvements and dimensional changes to equipment designs based on market trends and requirements.

**For product selection assistance, please email [marketing@spencer-air.com](mailto:marketing@spencer-air.com) or visit our website at [www.spencerturbine.com](http://www.spencerturbine.com) to locate the Spencer representative in your area.**

Industravac® is a registered trademark of The Spencer Turbine Company.



The  **Spencer Turbine Company, 600 Day Hill Road, Windsor, CT 06095 USA**

Blowers & Vacuum Systems with an Engineering Edge

TEL 800.232.4321 ♦ 860.688.8361 ♦ FAX 860.688.0098 ♦ [www.spencerturbine.com](http://www.spencerturbine.com)

TDS\_295E Copyright ©2016 The Spencer Turbine Company Printed in USA 031416KBA1.25

